



MUBARAK MULTICAT 34.5M

Diesel Electric Propulsion

Anchor Handling / Towing / Survey / Diving

دبي للهندسة و صناعة السفن ش.ذ.م.م.
Dubai Ship Building & Engineering L.L.C.

Survey /



Main Particulars

Length Overall	: 34.50 Metres
Breadth Mld.	: 13.00 Metres
Depth Mld.	: 3.80 Metres
Draft Designed	: 2.80 Metres
Service Speed	: 10 knots @ 100% MCR
GRT / NRT	: 491 / 147
Light Ship	: 609.9 MT
Deck Strength	: 10 MT/sq.M. (FR.28 to AFT) 5 MT/sq.M. (FR.28 to FWD)
Clear Deck Space	: 192 M ² with accom. container 238 M ² without accom. container

Registration

Year Built	: 2016
Owner	: Mubarak Marine L.L.C.
IMO No.	: 9792760
Port of Registry	: Dubai, U.A.E
Class	: Bureau Veritas
Class ID	: CN470
Notations	: I * Hull * Mach – Anchor Handling Vessel – TUG Coastal Area - Temporary Unrestricted Navigation
Builder	: Dubai Shipbuilding & Engineering LLC
Summer dead weight	: Approx. 347 MT
Summer displacement	: Approx. 1030 MT

Machinery / Propulsion / Maneuvering

Propulsion	: CPP - Mekanord	Bow Thruster	: Thrustmaster, 1 no x 300 HP HPU Motor, 1 no x 250 KW
Gearbox	: Mekanord, TYPE 450HS, 2 nos.	Stern Thruster	: Thrustmaster, 1 no x 300 HP HPU Motor, 1 no x 250 KW
Propeller	: Mekanord, TYPE CP20-R, 2nos.	Dynamic Positioning	: DP0
Steering	: Wills Ridley, 2 x 1050 Kg-m Torque	Air Conditioning System	: Chilled Water System, sufficient capacity for up to 36 persons.
Prop. Motor	: Marellimotori, 2000 KW Total (2 nos x 1000 kW each)		
Main Generators	: Caterpillar C32, 2820 ekW Total (3 nos x 940 ekW each)		
Harbour Generator	: Caterpillar CAT C9 1 No. x 205 ekW		

Deck Equipment

Deck Crane	:	Make : Heila
Type	:	Knuckle Telescopic Boom Crane
Certification	:	BV Certified Shipboard Crane
SWL	:	65MT @ 8M Radius
Max. Radius	:	20 Meters
Anchor Handling Winch	:	Make: C-Nautical
Nom. Pull / Brake Holding	:	142.7 T / 173.2 T @ 1 st layer
Wire Rope	:	52mm dia x 150 Meters.
Monitoring	:	Load & Length monitoring
Towing Winch with Spooling	:	Make: C-Nautical
Nom. Pull / Brake Holding	:	40.7 T / 86.6 T @ 1 st layer
Wire Rope	:	38mm dia x 500 Meters.
Monitoring	:	Load & Length monitoring
4 Point Mooring Winch with spooling	:	Make: C-Nautical, 4 nos.
Nom. Pull / Brake Holding	:	10.19 T / 30.5 T @ 1 st layer
Wire Rope	:	25mm dia x 250 Meters.
Warping Head	:	1 pc each winch
Tow Pin	:	75 T
Shark jaw / Tow Pin	:	140 T
FWD Roller	:	OD 950x 30mm Thk.
Spud	:	450mm dia x 2 nos.
Length	:	12 meters
Deployment	:	up to 7 meter
Power Supply on Deck	:	700 KW

Capacity

Fuel Oil	:	170 m ³
Fresh Water	:	88 m ³
Fresh Water Maker	:	SLCE, 1 Unit x 11m ³ /day (Gulf Water)
Sewage Treatment	:	Jets USA, 1 Unit Gravity Type
Dry Provision	:	5 m ²
Freezer	:	1.69 m ²
Chiller	:	4.1 m ²

Accommodation

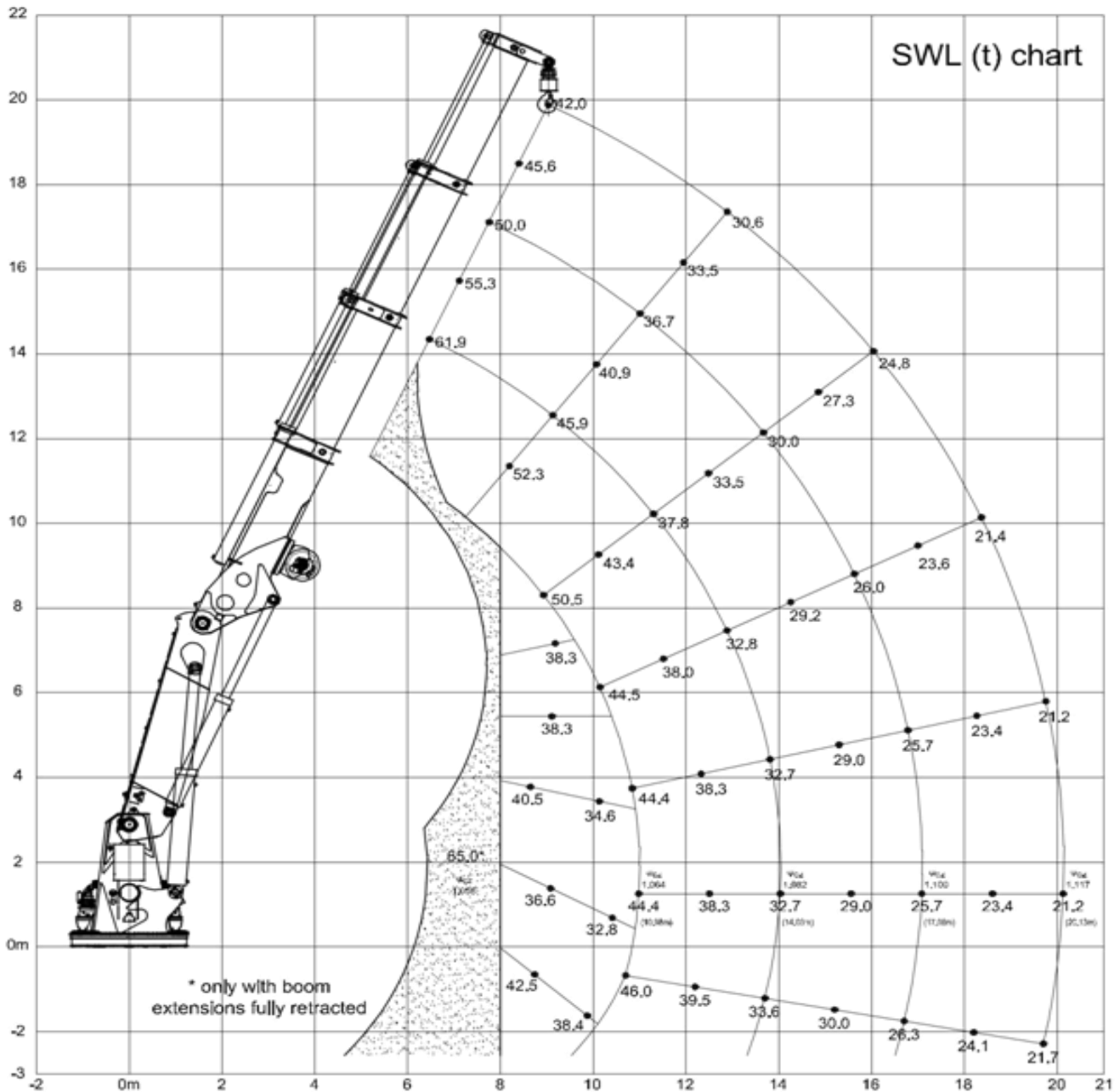
2-Single Cabins (Capt. & C. Engr)	:	2 Men
2 x 4Men Cabins (Crew)	:	8 Men
3 x 2Men Cabins (Crew)	:	6 Men
3 x 4men Containerize Cabin	:	12 Men
Total	:	28 Men

Safety / Fire Fighting

LSA	:	As per Solas
FFE	:	As per Solas

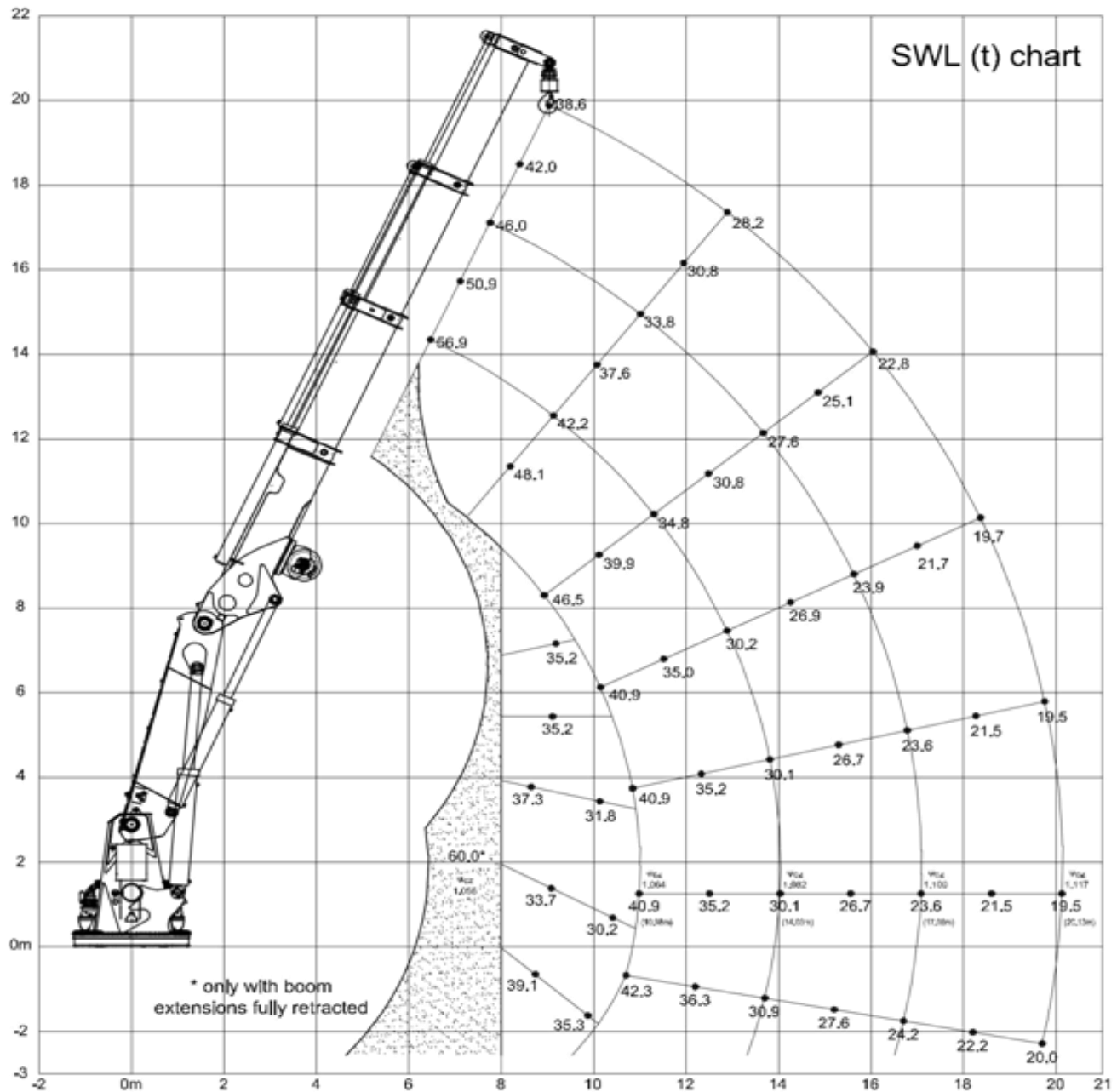
Navigation / Communication Equipment

Radar
DGPS
AIS
Magnetic Compass
Heading Repeater
Autopilot
BNWAS
Speed Log
Echosounder
VHF Radio Telephone
Wind speed and direction indicator



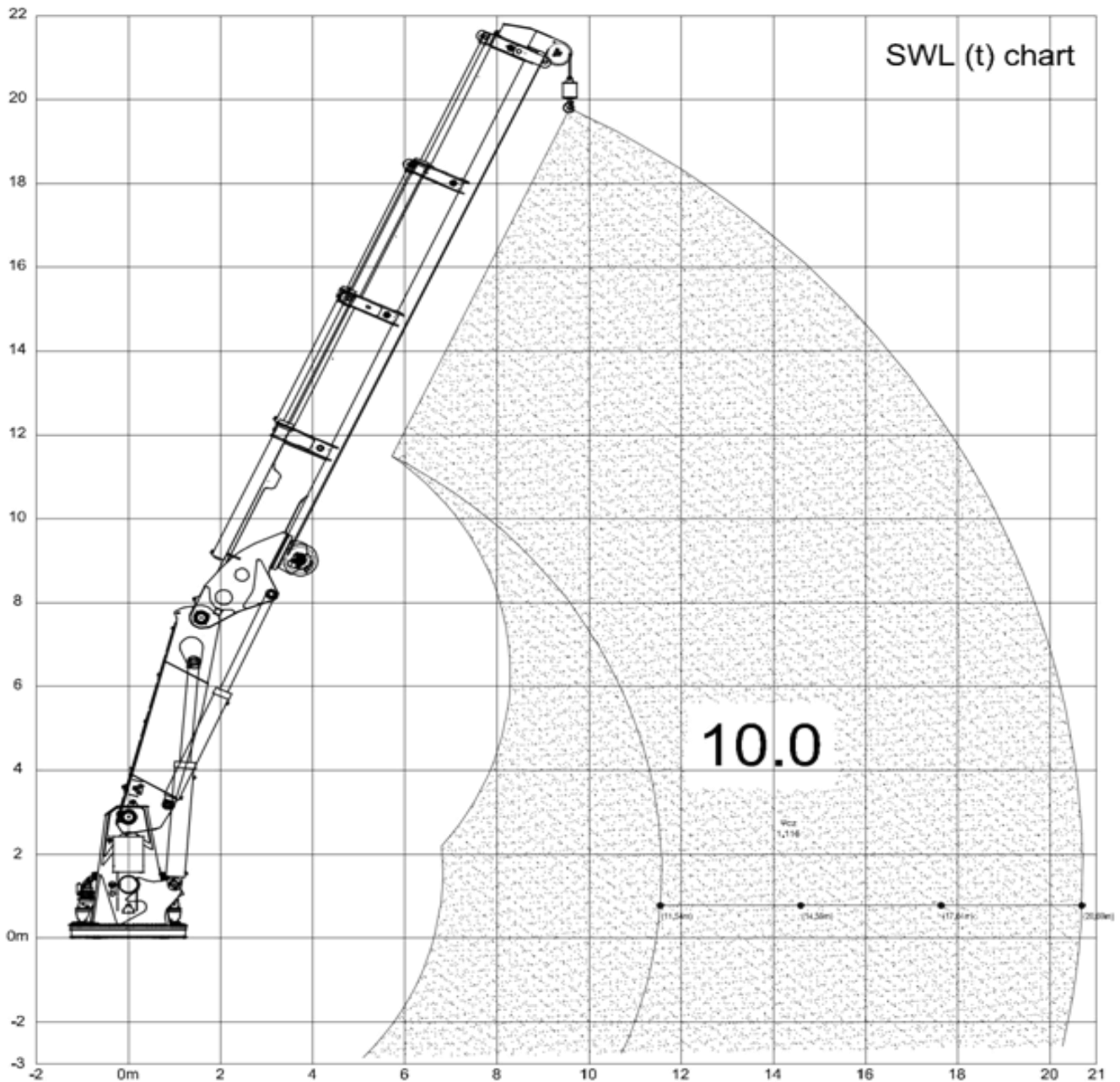
duty category: II ($\Psi_0 = 1.03$)
operational conditions: harbour ($ac_z = 1$), max list/trim $5^\circ/2^\circ$, max wind speed 20 m/s

Rev.	Date	Description	Issued	Checked	Approved
REVISION HISTORY					
Questo documento, e le informazioni in esso contenute, non possono essere divulgati o utilizzati per qualsiasi scopo senza autorizzazione scritta della HEILA CRANES S.p.A. CHE NE HA LA PROPRIETÀ. This document and any information herein contained cannot be disclosed or used for any purpose without the written consent of HEILA CRANES S.p.A. WHICH OWNS THE INTELLECTUAL PROPERTY.					
HEILA Custom Built Marine & Offshore Cranes			Quote senza indicazione di tolleranza: classe "MEDIA" UNI ISO 22768-1		SCALE 1:100
			TOTAL SHEETS 1		FORMAT A3
NUMBER					
TITLE					
LOAD CHART for crane HLRM 580/3S FIXED HOOK USE @ HARBOUR CONDITIONS					
CONTRACT/PROJET		CERTIFICATION	CODE	EDIT INDEX	
G1400062/2089		BV	0000874439	00	
DATE		DESIGNED	CHECKED	APPROVED	
30/09/15		Branchini L.	Branchini L.	Neroni F.	



duty category: II ($\Psi_0 = 1.03$)
 operational conditions: offshore curve no.1 ($acc = 1.07$), max list/trim $5^\circ/2^\circ$, max wind speed 24 m/s

Rev.	Date	Description	Issued	Checked	Approved
REVISION HISTORY					
<small>QUESTO DOCUMENTO, E LE INFORMAZIONI IN ESSO CONTENUTE, NON POSSONO ESSERE SVEGLIATI D'UTILIZZATI PER QUALUNQUE SCOPO SENZA AUTORIZZAZIONE SCRITTA DELLA HEILA CRANES S.p.A. CHE NE È LA PROPRIETÀ. THIS DOCUMENT AND ANY INFORMATION HEREIN CANNOT BE DISCLOSED OR USED FOR ANY PURPOSE WITHOUT THE WRITTEN CONSENT OF HEILA CRANES S.p.A. WHICH OWNS THE INTELLECTUAL PROPERTY.</small>					
 Custom Built Marine & Offshore Cranes			Quote senza indicazione di tolleranza: classe "MEDIA" UNI ISO 22768-1	SCALE	1:100
			TOTAL SHEETS 1	FORMAT	A3 
NUMBER					
TITLE					
LOAD CHART for crane HLRM 580/3S FIXED HOOK USE @ OFFSHORE CONDITIONS					
CONTRACT/PROJET G1400062/2089		CERTIFICATION BV	CODE 0000874440	EDIT INDEX 00	
DATE 30/09/15		DESIGNED Branchini L.	CHECKED Branchini L.	APPROVED Neroni F.	



duty category: II ($\Psi_0 = 1.03$)

operational conditions: harbour to offshore curve no.1 ($\alpha_{cz} = 1.07$), max l1st/trim $5^\circ/2^\circ$. max wind speed 24 m/s

Rev.	Date	Description	Issued	Checked	Approved
REVISION HISTORY					
<small>QUESTO DOCUMENTO E LE INFORMAZIONI IN ESSO CONTENUTE NON POSSONO ESSERE RIVELATE O UTILIZZATE PER QUALSIASI SCOPO SENZA AUTORIZZAZIONE SCRITTA DELLA HEILA CRANES S.p.A. CHE NE HA LA PROPRIETÀ THIS DOCUMENT AND ANY INFORMATION HEREIN CONTAINED CANNOT BE DISCLOSED OR USED FOR ANY PURPOSE WITHOUT THE WRITTEN CONSENT OF HEILA CRANES S.p.A. WHICH OWNS THE INTELLECTUAL PROPERTY</small>					
 Custom Built Marine & Offshore Cranes			Quote senza indicazione di tolleranza: classe "MEDIA" UNI ISO 22768-1	SCALE	1:100
			TOTAL SHEETS 1	FORMAT	A3 
NUMBER					
TITLE LOAD CHART for crane HLRM 580/3S WINCH USE @ HARBOUR & OFFSHORE CONDITIONS					
CONTRACT/PROJET G1400062/2089		CERTIFICATION BV	CODE 0000874441	EDIT INDEX 00	
DATE 30/09/15		DESIGNED Branchini L.	CHECKED Branchini L.	APPROVED Neroni F.	